



Technical Data

| Characteristics | Standards | Result |
|--------------------------|---|---|
| Length/Width | EN ISO 24341 ASTM F1700 GB/T 4085 - 2015 | -0.13% ≤ X ≤ 0.13% ±0.4 mm per linear ft (305 mm) ±0.13% |
| Thickness | EN ISO 24346 ASTM F1700 GB/T 4085 - 2015 | - 0.1 mm ≤ X ≤ 0.13 mm ± 0.13 mm + 0.13 / -0.10 mm |
| Wear layer Thickness | EN ISO 24340 ASTM F1700 GB/T 4085 - 2015 | -0.1% ≤ X ≤ 0.13% Commercial, MIN ≥ 0.5mm; Residential, N/A +13%/-10% |
| Squareness | EN ISO 24342 ASTM F2055 GB/T 4085 - 2015 | l ≤ 400, ≤ 0.25; l > 400, ≤ 0.35 mm MAX ≤ 0.25 mm l ≤ 305, ≤ 0.25; l > 305, ≤ 0.35 mm |
| Straightness | EN ISO 24342 GB/T 4085 - 2015 | ≤ 0.25 mm l ≤ 305, ≤ 0.25; l > 305, ≤ 0.35 mm |
| Dimensional Stability | ISO 23999 ASTM F2055 GB/T 4085 - 2015 | ≤ 0.25% MAX ≤ 0.51 mm per linear ft (305 mm) ≤ 0.25% |
| High Temperature Warping | ISO 23999 ASTM F2199 GB/T 4085 - 2015 | ± 2 mm ± 2 mm ≤ 2 mm |
| Residual Indentation | ISO 24343 - 1 ASTM F1914 | ≤ 0.10 mm Maximum single reading 10% |
| Wear Resistance | EN 660 - 2 GB/T 4085 - 2015 | Pass T |
| Color Fastness To Light | ISO 105-B02 ASTM F1515 GB/T 4085 - 2015 | Blue wool scale ≥ 6 ΔE ≤ 8 ≥ 6 |
| Ply Adhesion | ISO 24345 GB/T 2792 - 2014 | Pass ≥ 50 N / 50 mm |
| Formaldehyde Emission | ISO16000 California Specification 01350 GB 18580 - 2017 | N.D. ≤ 9µg / m³ ND |
| Resistance To Chemicals | ISO 26897 ASTM F925 GB/T 11982.1 - 2005 | Class 0 Excellent Pass |
| Heavy Metal | EN 71 ASTM F963 GB 18586 - 2001 | Non Toxic Pass ND |
| TVOC Emission (mg/m³) | ISO 16000 California Specification 01350 | TVOC _{max} ≤ 1.0mg / m³ Less than / equal to 0.5 mg / m³ |
| Castor Chair Resistance | ISO 4918 GB/T 4085 - 2015 | No visible damage after 25000 revolutions No visible damage after 25000 revolutions |
| Antislip | DIN 51130:2014 | ≥ R10 |
| Fire Classification | EN 13501-1 ASTM E648 GB 8624 - 2012 | Bf1-S1 CRF ≥ 5KW / m² B1 |



Domestic



Examples of areas of use

Bedroom, dining room
Children's room, living room, entrance
hall, Kitchen, living room, corridor, office,
entrance hall

Commercial



Examples of areas of use

Bedroom, hotel, conference room, small office
Classroom, small office, hotel, boutique,
conference room, doctor's practice
Corridor, department store, school,
multi-purpose hall, open plan office, reception
Airport, multi-purpose hall, counter hall,
department store

Industrial



Examples of areas of use

Electronic assembly, precision engineering
Storage room, electronic assembly
Storage room, production hall

FloraFloor office is Estival head office :
115 rue Cardinet
75017 Paris

www.florafloor.com(FR)
www.florafloor.com.cn(CN)

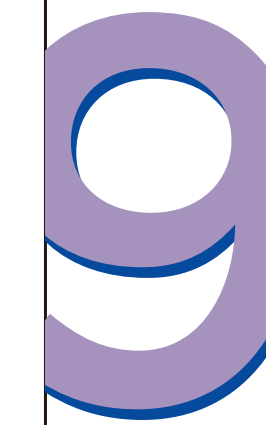
9 Series - RVT Looselay
Sample Folder €7
First published in November, 2022

FLORAFLOOR 230201



FLORAFLOOR

RVT Series
Rubber Vinyl Flexible Tile

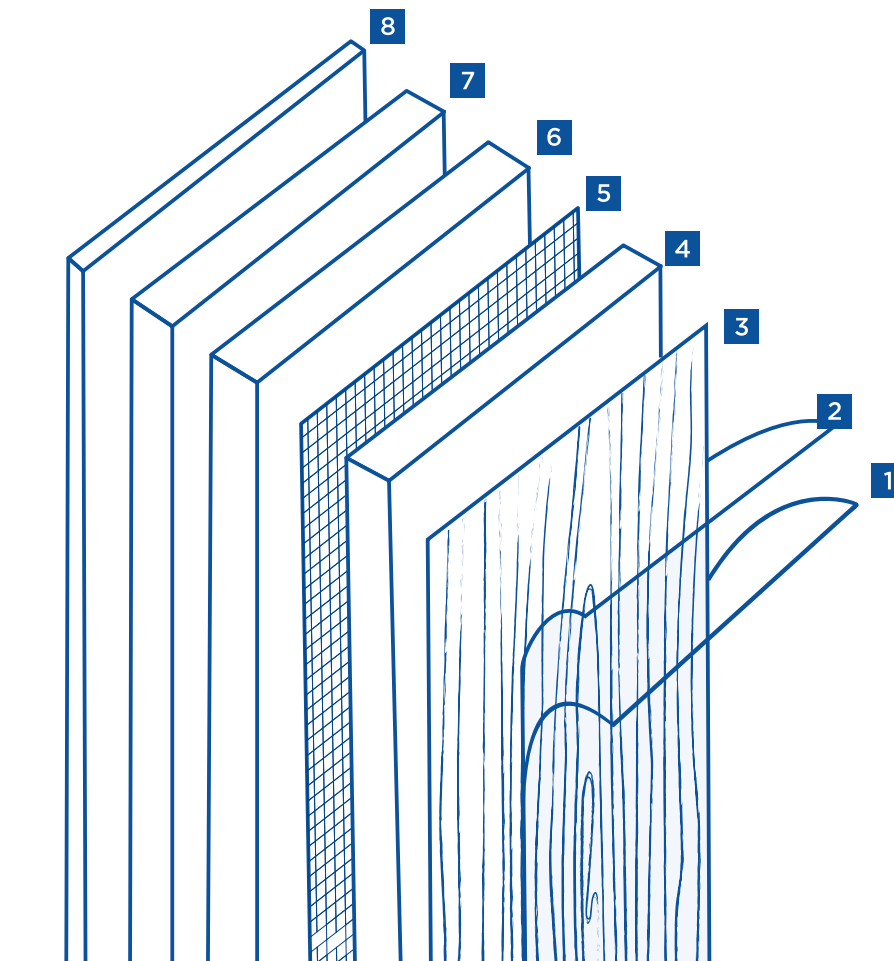


FLORAFLOOR® RVT (9) SHOWING VINYL COLOR DESIGN AND TREND

Structure

Florafloor tiles and planks consist of individual layers which are thermally pressed and feature a polyurethane reinforcement (PU). Florafloor combines a vast range of authentic wood and stone designs alongside creative, innovative and abstract effects with the excellent easy-care characteristics of PVC flooring.

- The Polyurethane Reinforcement**
Thanks to a factory-applied polyurethane reinforcement, there is less work for you to do to care for your floor.
- The Wear Layer**
This transparent, extremely dense layer is hard-wearing and protects the decoration of the product. This allows the surface embossing to create a highly authentic effect.
- The Decoration Layer**
Each design has been specifically developed for Florafloor by means of extensive trend research and the commissioning of experienced product designers.
- RVT Layer**
Contain micro-size stone and PVC particles, modified rubber, determining the physical and chemical properties of the product.
- Fiberglass Layer**
Between the RVT layers, keeping the dimensional stability, expansion and contraction of the product.
- RVT Layer**
Contain micro-size stone and PVC particles, modified rubber, determining the physical and chemical properties of the product.



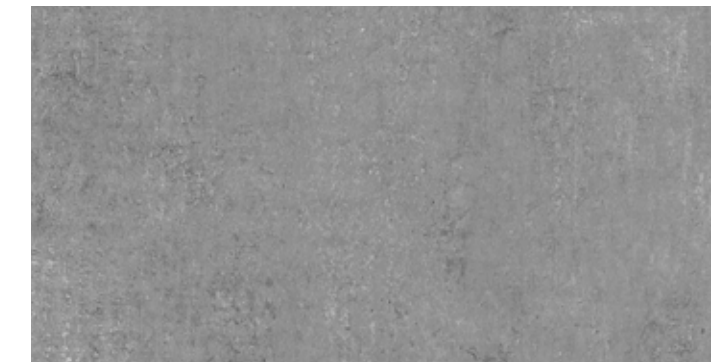
15 Years Guarantee

All products purchased from the range are guaranteed for 15 years against normal wear and tear in the recommended environment, provided that they have been fitted correctly and maintained in accordance with the manufacturer's instructions.

- Stabilization Layer**
Balance the inner stress, keeping the product flat and stable.
- Backing Layer**
Black PVC layer with anti-slip function.



FTS-53047 912mm x 456mm 5,0mm



FTS-53050 912mm x 456mm 5,0mm



FTS-53048 912mm x 456mm 5,0mm



FTS-53051 912mm x 456mm 5,0mm



FTS-53049 912mm x 456mm 5,0mm



FTS-53052 912mm x 456mm 5,0mm

RVT Looselay

Rubber Vinyl Flexible Tile



FTS-53053 912mm x 456mm 5,0mm



FTA-57015 914,4mm x 304,8mm 5,0mm



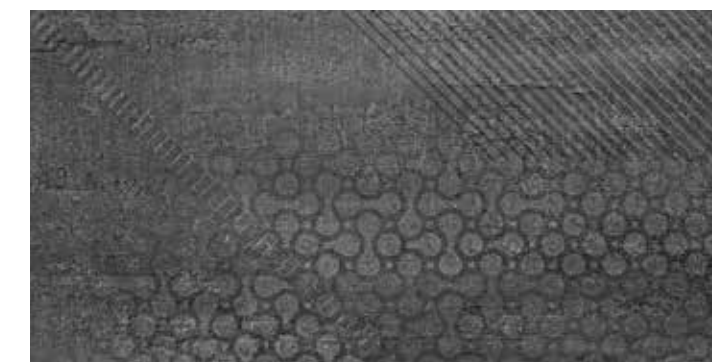
FTS-53054 912mm x 456mm 5,0mm



FTA-57016 914,4mm x 304,8mm 5,0mm



FTS-53055 912mm x 456mm 5,0mm



FTA-57017 914,4mm x 304,8mm 5,0mm

9

RVT
RUBBER VINYL FLEXIBLE TILE
LOOSELAY

ENVIRONMENT
PROTECTION
SAFETY
ECO-FRIENDLY

Underfoot Comfort
Sound Insulation
Thermal Insulation
Water Proof

CUSTOM
INFORMATION

5,0 mm
+
0,55 mm
&
3,0 mm
+
0,3 mm



FTA-57011 912mm x 456mm 5,0mm



FTA-57018 914,4mm x 304,8mm 5,0mm



FTA-57012 912mm x 456mm 5,0mm



FTA-57019 914,4mm x 304,8mm 5,0mm



FTA-57013 914,4mm x 304,8mm 5,0mm



FTA-57020 914,4mm x 304,8mm 5,0mm



FTA-57014 914,4mm x 304,8mm 5,0mm



FTW-51077 1227mm x 190mm 5,0mm



FTW-51075 1227mm x 190mm 5,0mm



FTW-51080 1227mm x 190mm 5,0mm



FTW-51076 1227mm x 190mm 5,0mm



FTW-51081 1227mm x 190mm 5,0mm



FTW-51078 1227mm x 190mm 5,0mm



FTW-51082 1227mm x 190mm 5,0mm



FTW-51079 1227mm x 190mm 5,0mm



FTW-51083 1227mm x 190mm 5,0mm